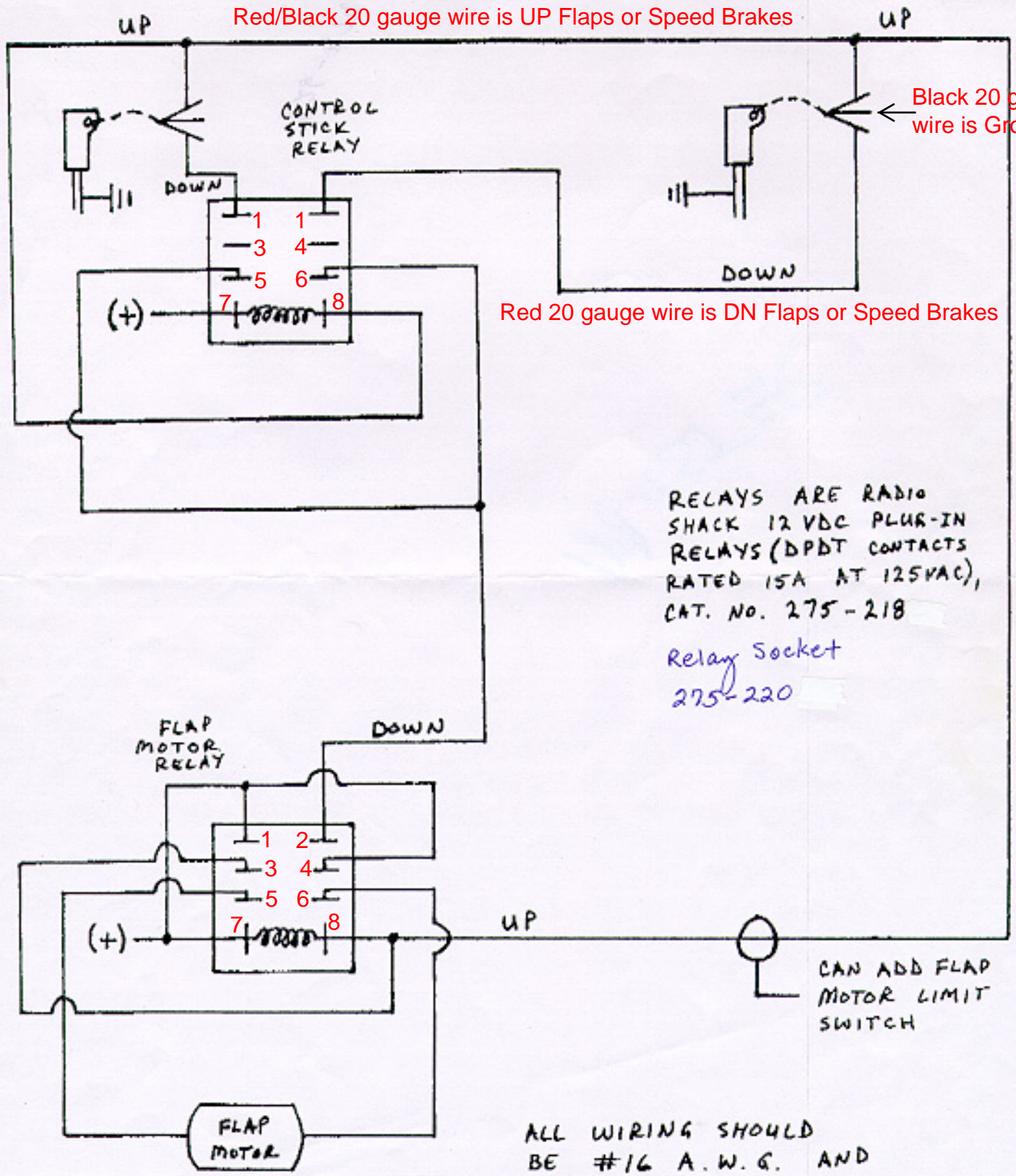


SCHEMATIC FOR DUAL INFINITY 1  
 CUSTOM MILITARY STICK GRIPS WITH  
 ON/OFF/(MOMENTARY ON) TOGGLE FOR FLAPS



Red/Black 20 gauge wire is UP Flaps or Speed Brakes

Black 20 gauge wire is Ground

Red 20 gauge wire is DN Flaps or Speed Brakes

RELAYS ARE RADIO SHACK 12 VDC PLUG-IN RELAYS (DPDT CONTACTS RATED 15A AT 125VAC), CAT. NO. 275-218

Relay Socket 275-220

ALL WIRING SHOULD BE #16 A.W.G. AND PROTECTED WITH A 15 AMP CB.