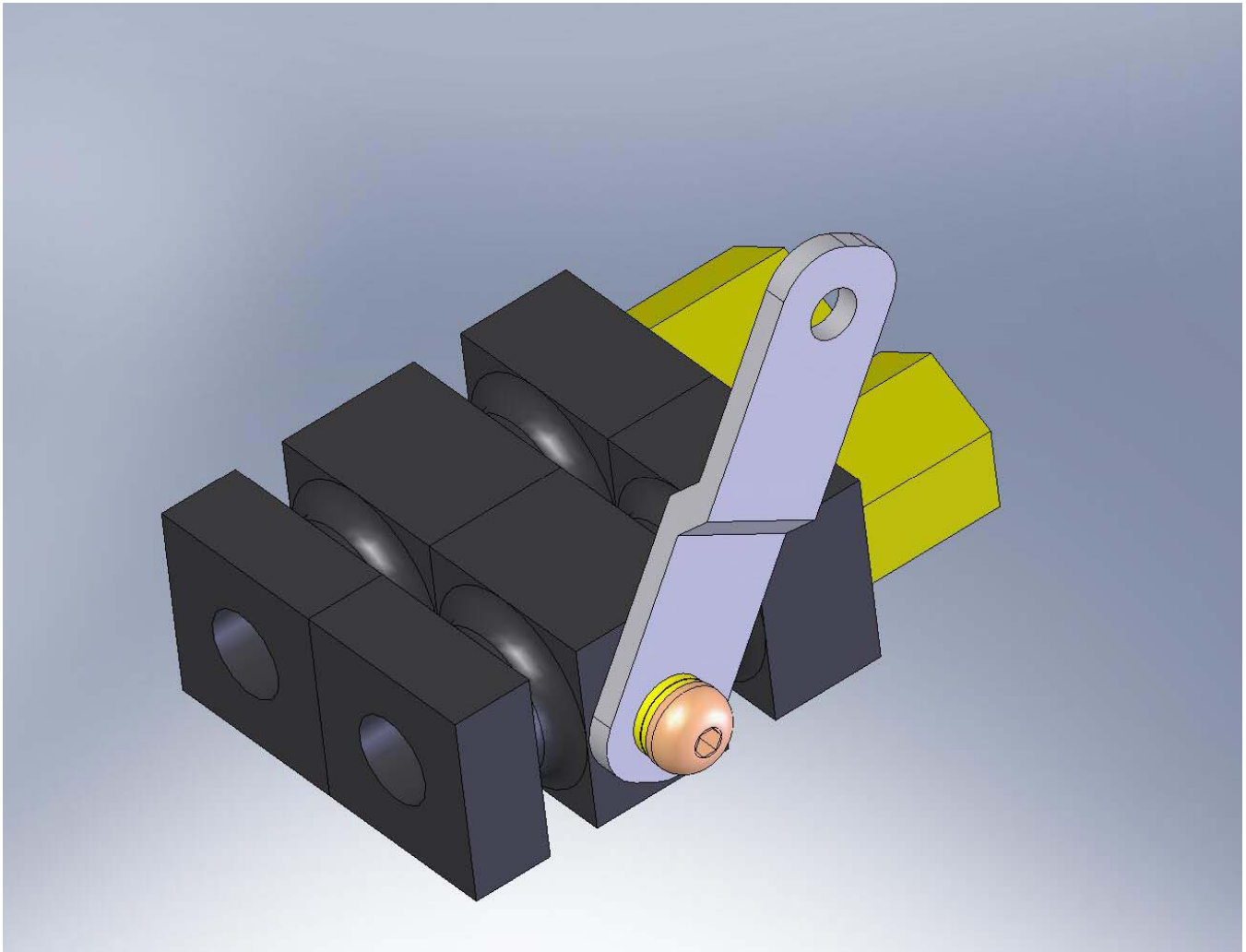




*Stopping at Nothing to Get You Stopped*

MATCO mfg  
2361 S 1560 West  
Woods Cross, UT 84087  
801-335-0582  
801-335-0581 (F)  
[www.matcomfg.com](http://www.matcomfg.com)

## **MATCO mfg Announces the New PVPV-D Park Brake Valve**



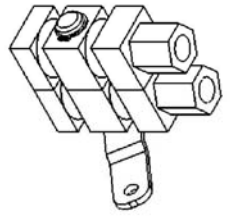
## PVPV-D is Loaded with Innovative Features

MATCO mfg is excited to announce the newest model of the Park Brake Valve. As with our earlier model Park Brake Valve, the PVPV-1, our latest model is a resetable check valve. Different from a simple shut off valve, this style valve always ensures pressure can get to the brake. With the valve in the free flow position, unrestricted flow occurs between the pressure source and the brake. With the valve in the closed position, fluid can flow only toward the brake and pressure is trapped beyond the valve allowing the brake to stay locked on the brake disc.

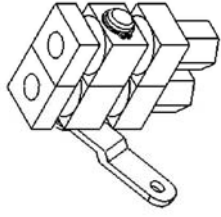
The new PVPV-D unit incorporates many innovative enhancements including:

- Linear flow through body provides compact installation and easier bleeding than valves with a 90 degree flow turn in the valve.
- Innovative body design allows installation of any combination and orientation of straight, 45, or 90 degree fittings. As a result, the hydraulic routing approach to the valve is infinitely flexible.
- Since the body is symmetrical, the lever can be positioned on the left or right side by simply flipping the valve. No need to disassemble the valve to relocate lever.
- Lever handle can be repositioned in 90 degree increments to change valve operating zones.
- New internal design improves robustness and ease of installation.
- The valve is also be available in a single sided configuration under part number PVPV-S
- Lighter weight

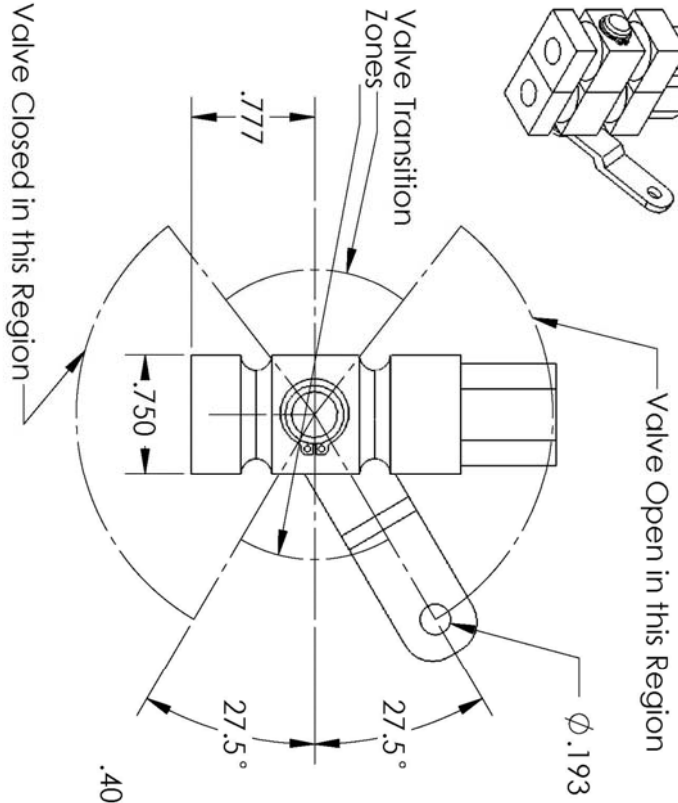
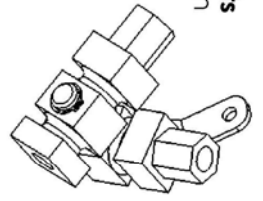
These features are illustrated below



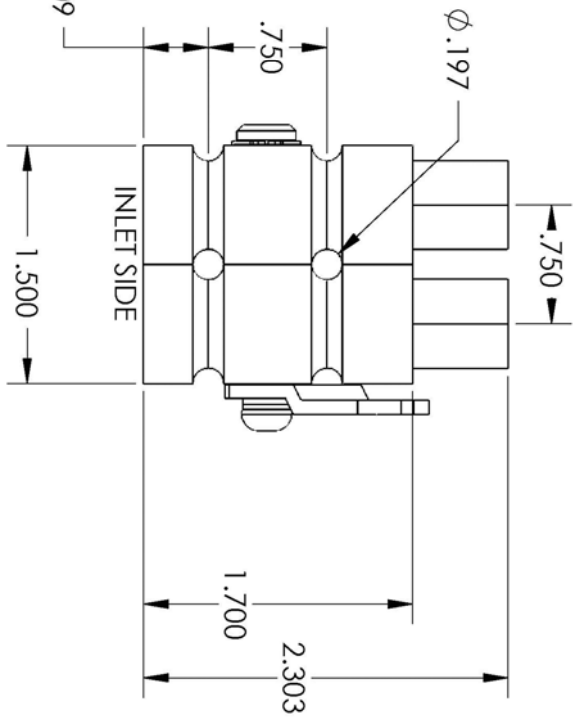
**For Use with Mil-H-5606  
or Equivalent Fluid**  
**Inlet and Outlet Port  
Thread Size 1/8 NPT**



**Valve Halves Pivots**  
to allow installation  
of angled fittings  
prior to mounting  
valve!  
Bodies are then  
realigned for use.



Valve Open in this Region



OUTLET SIDE  
To  
Brake

**NOTE: Lever can be moved to change  
Operating Zones in 90 deg increments**

**MATCO mfg**  
2361 S. 1560 West  
Woods Cross, Utah 84087 USA  
DRAWN BY George R. Happ



NOMENCLATURE VALVE, PARK  
MATERIAL VARIES  
DATE 7/10/2008  
FINISH

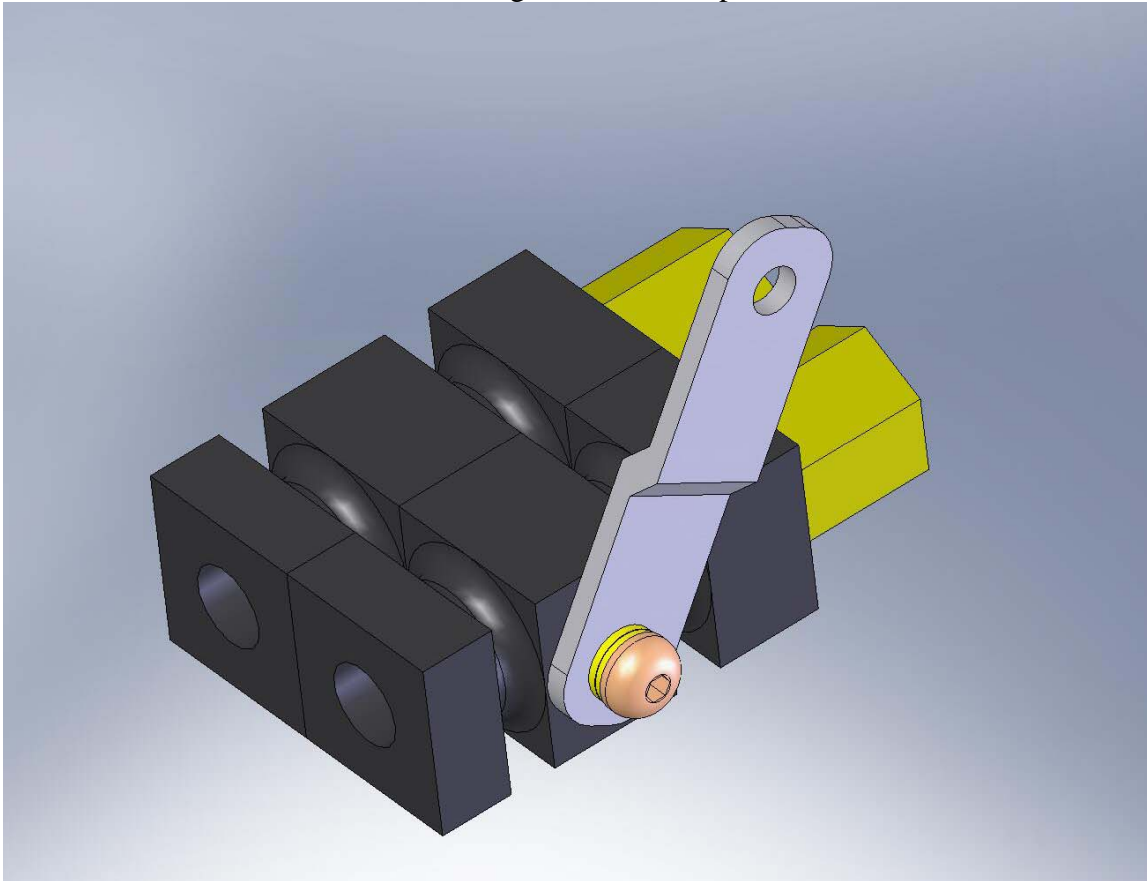
PART NUMBER PVPV-D  
DRAWING NO. PARK/PVPV-D INSTALL  
CHECKED BY  
SHEET 1 OF 1  
SHEET SIZE A

SCALE 1:1  
REVISION Est. Wt. (lb) 0.283  
NC

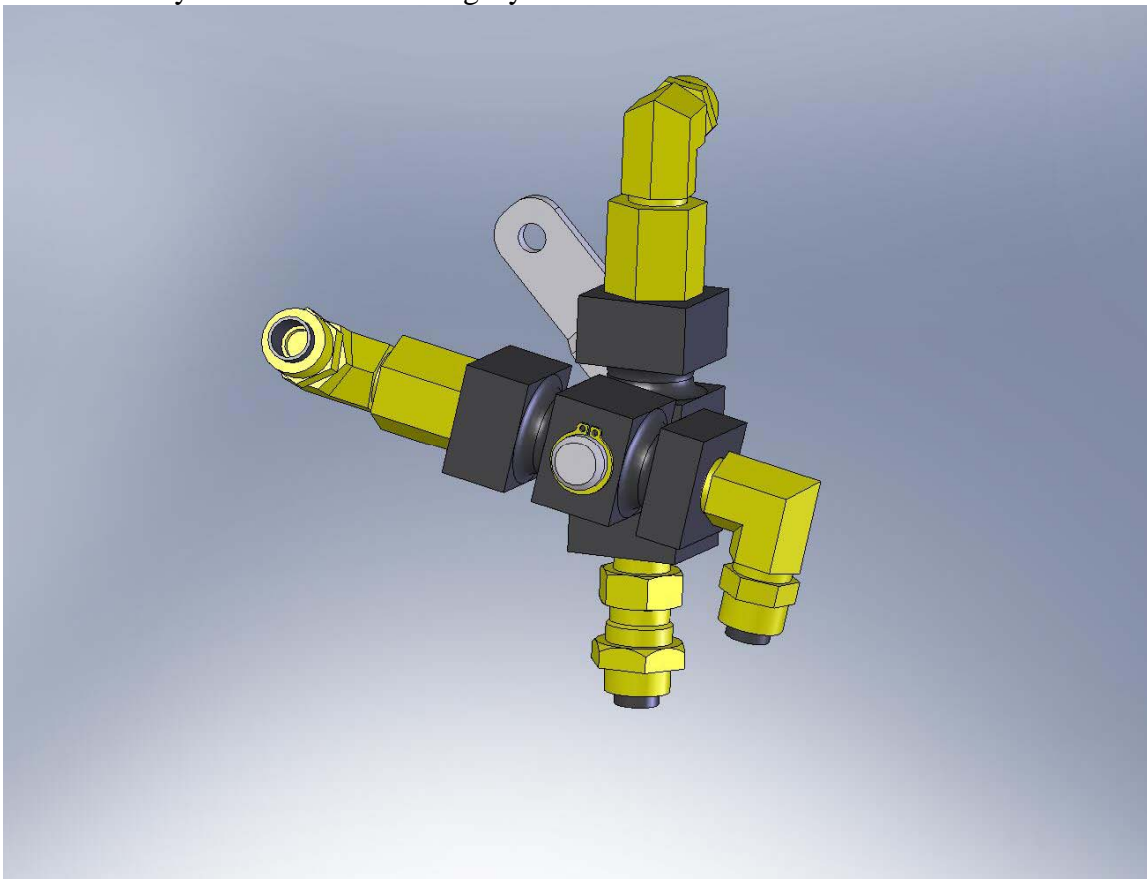
TOLERANCES (EXCEPT AS NOTED)  
DO NOT SCALE DRAWING  
LINEAR .XX = ± .03  
ANGULAR .XX = ± 1/2  
CONCENTRIC ± .01

APPLICATION	USED ON	QTY
NEXT ASSY.		

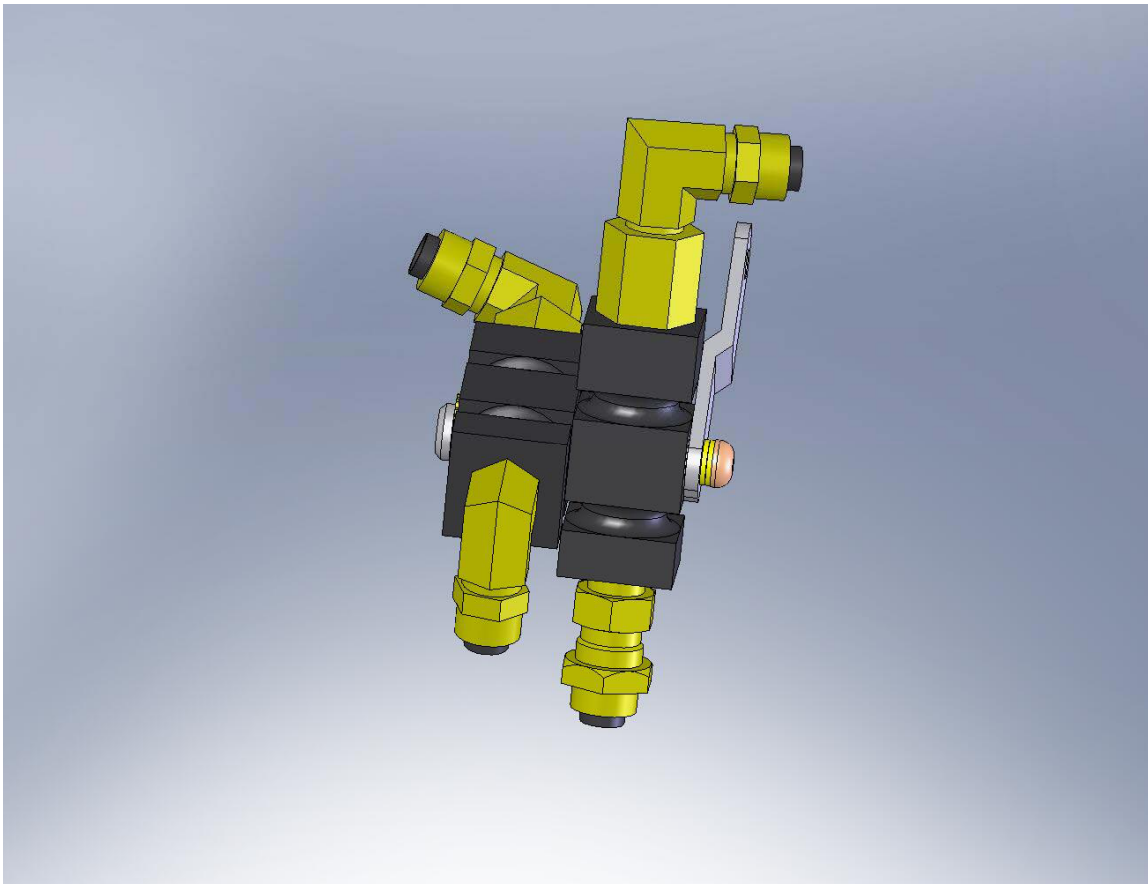
PVPV-D features linear flow with fittings inline for simplified installation.



PVPV-D Pivoting Body allows complete flexibility in fitting selection and hydraulic line approach to the valve. Any combination of fitting styles and orientation can be used.



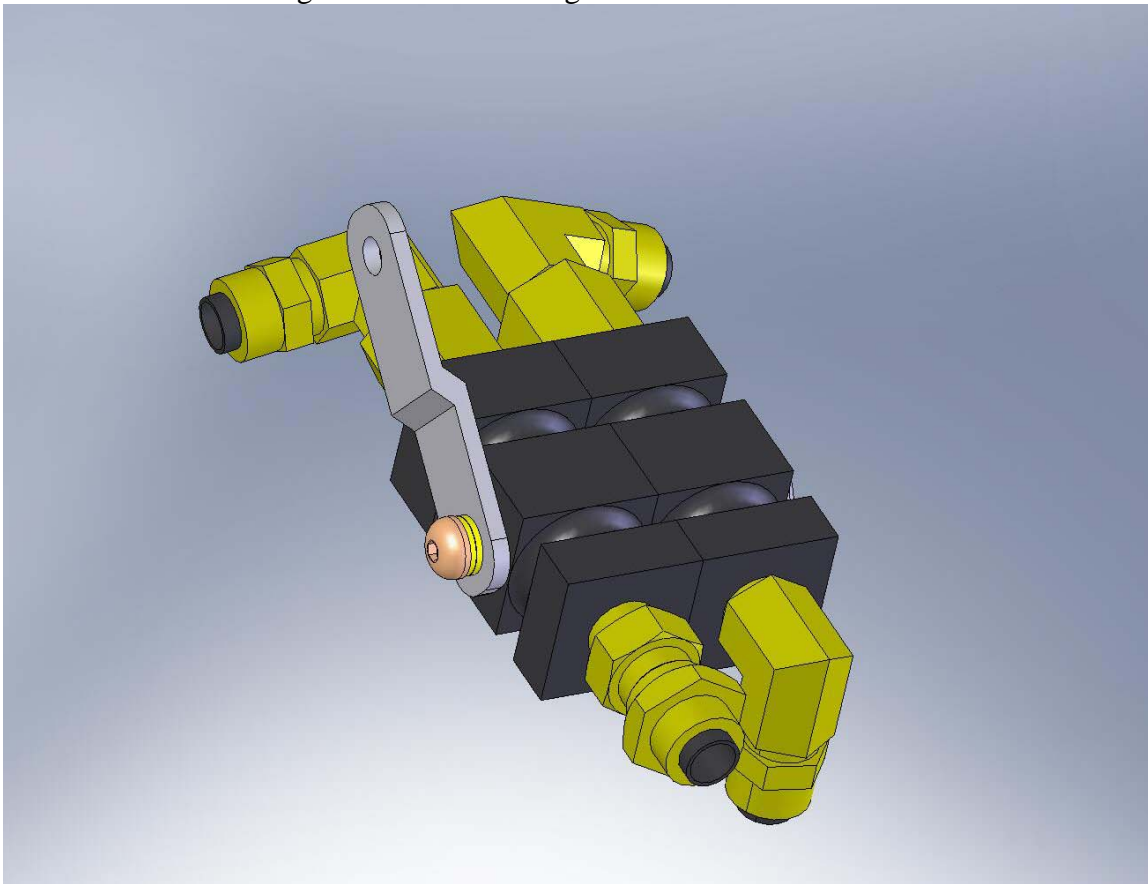
Fittings are installed with body pivoted to allow clearance while rotating until fitting are seated and oriented as desired.



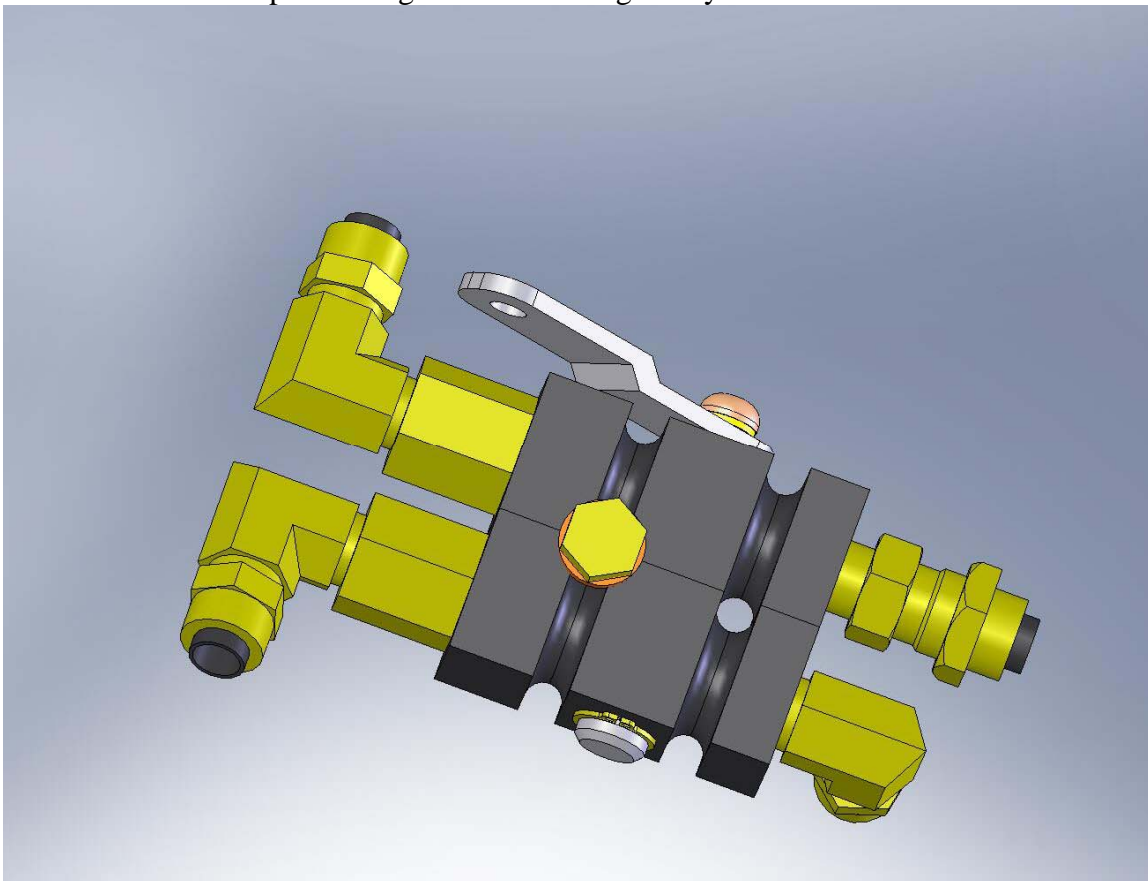
Body is then pivoted back to flat position.



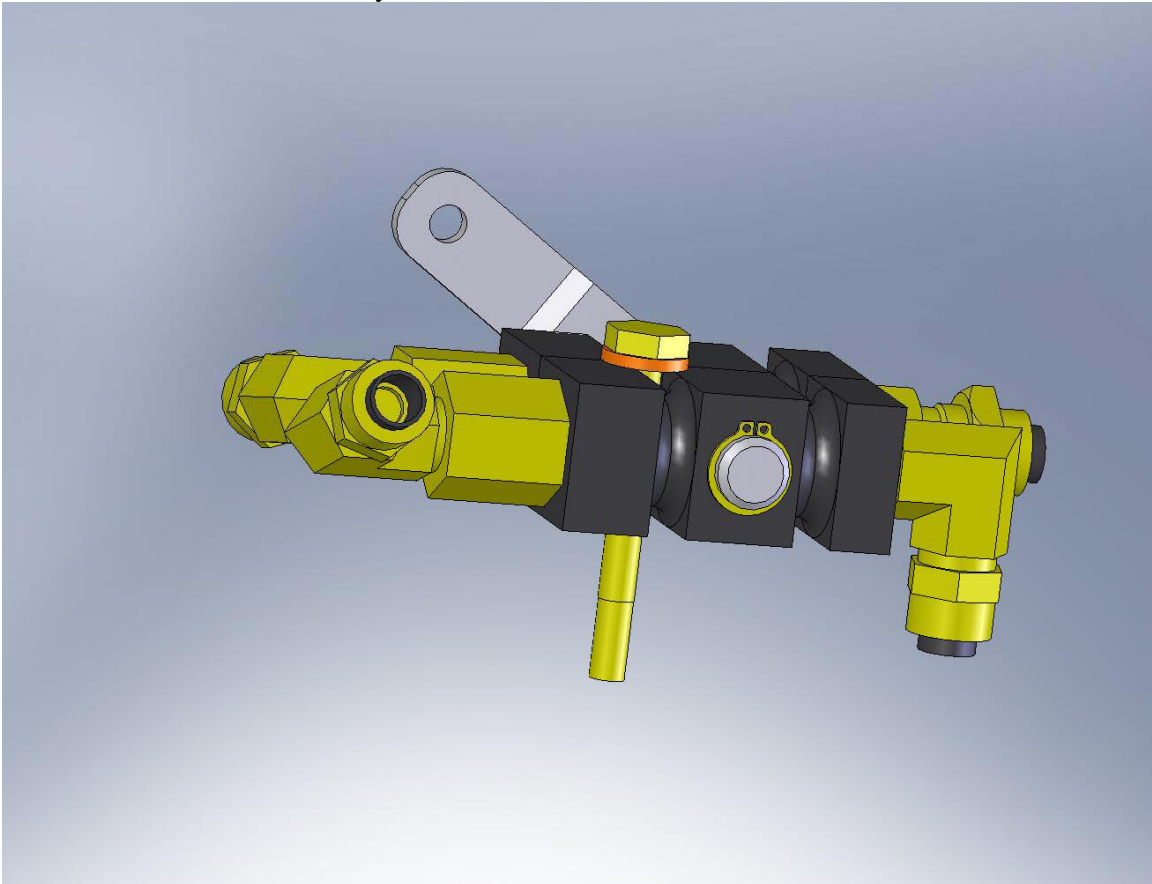
Mounting can be done from either side allowing the lever to be on the right or left side. Simply flip the valve over for mounting with lever on the right side.



Valve is mounted in place using two bolts through body. Bolts hold valve flat.



AN3 bolts or 5 MM bolts may be used.



Valve is ready for use.

