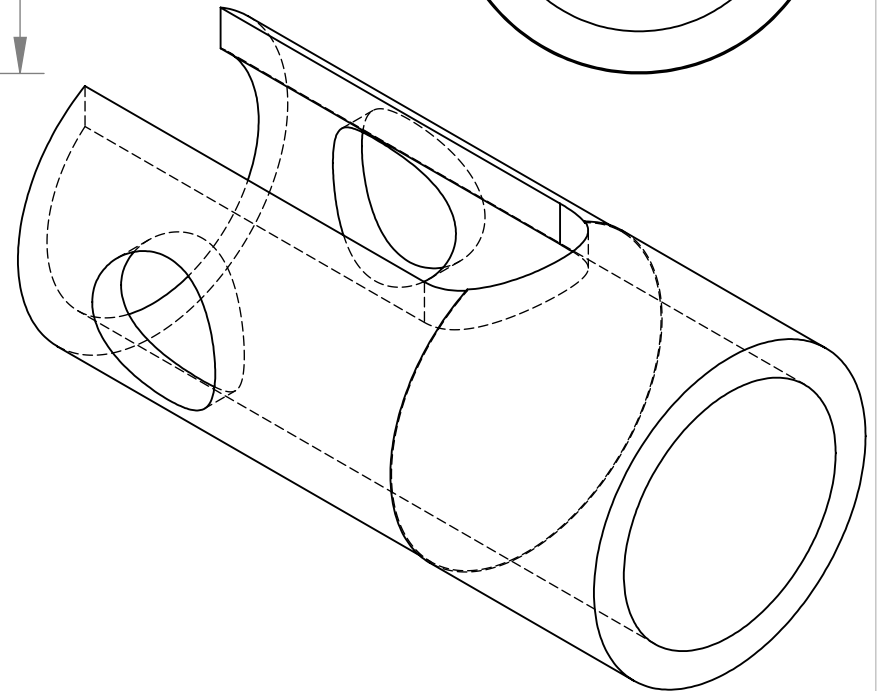
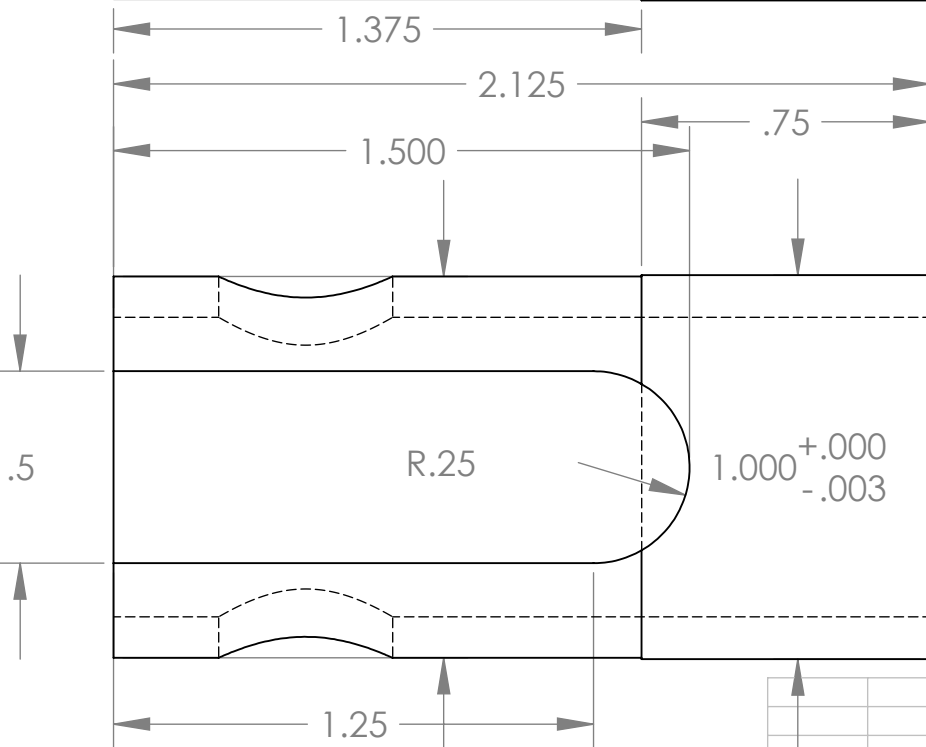
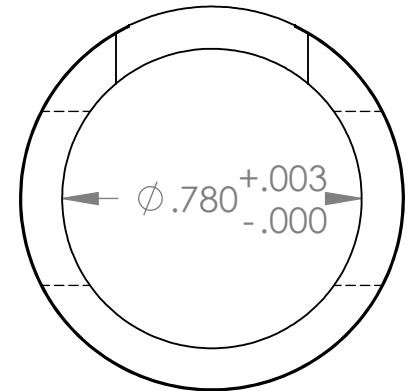
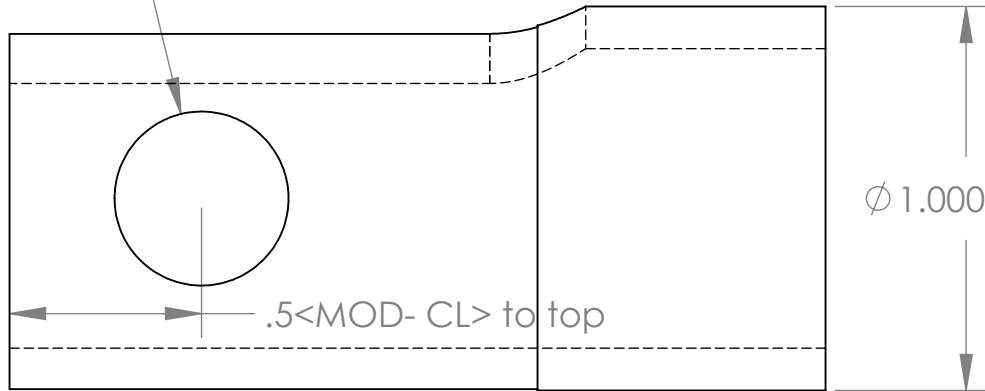


Ø .453125 DRILL THR WITH 29/64 DRILL BIT

REVISIONS		DATE	APPROVED
ZONE	REV.	DESCRIPTION	



.993^{+0.003}
-.000

PROPRIETARY AND CONFIDENTIAL
THE INFORMATION CONTAINED IN THIS DRAWING IS THE SOLE PROPERTY OF INFINITY Aerospace. ANY REPRODUCTION IN PART OR AS A WHOLE WITHOUT THE WRITTEN PERMISSION OF INFINITY Aerospace IS PROHIBITED.

DIMENSIONS ARE IN INCHES TOLERANCES: FRACTIONAL ± ANGULAR: MACH ± BEND ± TWO PLACE DECIMAL ± .01 THREE PLACE DECIMAL ± .005		NAME JDN	DATE 10/23/01
MATERIAL 6061-T6 Aluminum		CHECKED	
FINISH --		ENG APPR.	
NEXT ASSY		MFG APPR.	
USED ON		Q.A.	
APPLICATION		COMMENTS:	
DO NOT SCALE DRAWING			

INFINITY Aerospace

Custom Short 0.750" ID
Stick Grip Spacer

SIZE A	DWG. NO.	REV.
SCALE:2:1	WEIGHT:	SHEET 1 OF 1